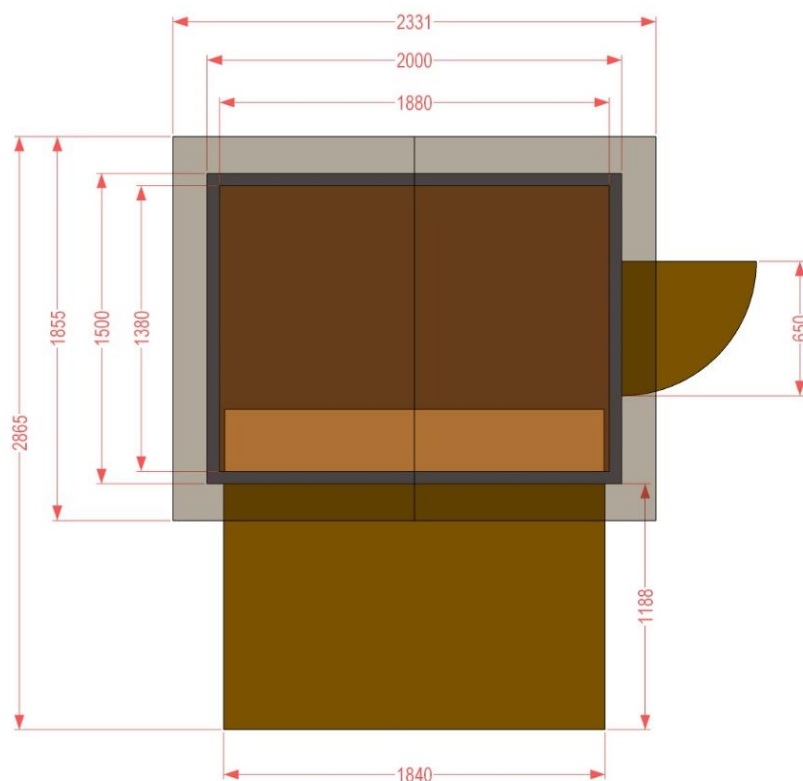


Datasheet

Rustic market hut "2m hut"

2.00m x 1.50m



All dimensions in mm

Dimensions	W x D x H (base area)	2.00m x 1.50m x 2.62m
	Dimensions with open front flaps (W x D)	2.33m x 2.86m
	Roof overhang front side back	0.18m 0.16m 0.18m
	W x D (with roof overhang)	2.33m x 1.85m
	Counter (W x D)	approx. 1.83m x 0.30m
	Counter height (inside outside)	0.80m 1.00m
	Door width	0.65m
General	<ul style="list-style-type: none"> - Hut in solid modular construction - Solid wooden floor (can be used as forklift pallet) - Walls and bottom are screwed together - Sales flap at the front (standard) - Door in the back wall - Inlet for cables and hoses in the back wall - Foldable counter (at the front) 	
Options	<ul style="list-style-type: none"> - Sales flaps on the side - Sales flap in the back wall - Door on the side - Walkable style with partially removable front element - Glazing bar windows - Shutters - Further options available upon request 	